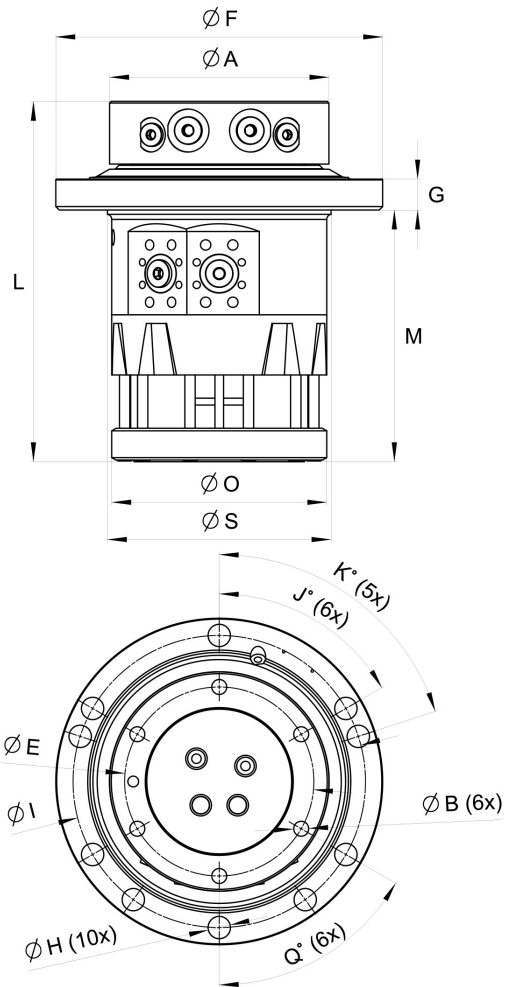
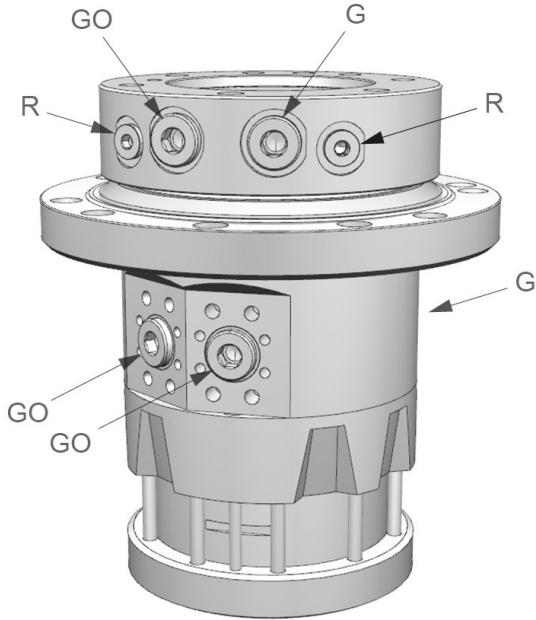


IR 20 M24

Part No.: 8000513



Upper		Lower			
G GO: G 1	R: G 1/2	G: SAE 3000 DN 25 / SAE 6000 DN 32 / G 1	G0: SAE 3000 DN 25 / SAE 6000 DN 32 / G 1	G0: SAE 3000 DN 25 / SAE 6000 DN 32 / G 1	G0: SAE 3000 DN 25 / SAE 6000 DN 32 / G 1

A: Ø280 mm	B: M24	E: Ø230 mm	F: Ø380 mm	G: 36 mm	H: Ø26 mm	I: Ø340 mm	J: 60°	K: 72°	L: 420 mm	M: 293 mm	O: Ø250 mm	P: Ø20 mm	Q: 60°
S: Ø260 mm													

151 kg	360°	±450 kN	±150 kN	4100 Nm	35 l/min	25 MPa	35 MPa	35 MPa	35 MPa

Pressure limiting valves fitted in the motor.

We reserve the right to make product changes. For further technical information relating to integration and hydraulic connections, please contact rotator@indexator.com