

Product description
Distributor E4

APPLICATION

Positive dividers type E4 are employed for progressive centralized lubrication systems. The grease or oil fed into them under pressure is distributed to various lubrication points or slave dividers.

If so required, the dividers can also be installed in oil circulating, single, dual or multi-line systems to divide the lubricant in a supply line and feed it to several lubrication points.

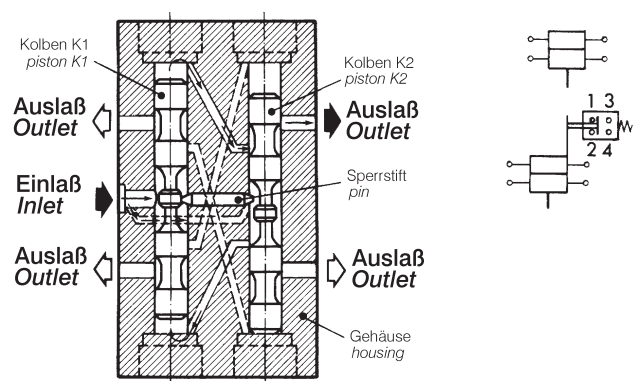


PRODUCT CHARACTERISTICS

- Progressive distributor
- Grease and oil
- Metered volume 0.4 cm³
- Working pressure max. 160 bar
- Material: steel

FUNCTION

Each divider incorporates two pistons that under the feed pressure of the lubricant are forced into their two end positions in alternation. A locking pin between the two pistons ensures that only one piston can move at a time. Depending on the end position of the locked piston, lubricant fed into the centre channel flows into the end space ahead of the other piston, which then moves to the opposite end position and in so doing forces the entrapped lubricant through an annular space around the locked piston and out of the discharge port. Immediately this movement is completed the piston is locked, thereby releasing the other piston, which continues the cycle.



A. DISTRIBUTOR TYPE	Code
----------------------------	-------------

PE4

B. NUMBER OF OUTLETS	Code
-----------------------------	-------------

2 outlets
3 outlets
4 outlets

02
03
04

C. REVISION	Code
--------------------	-------------

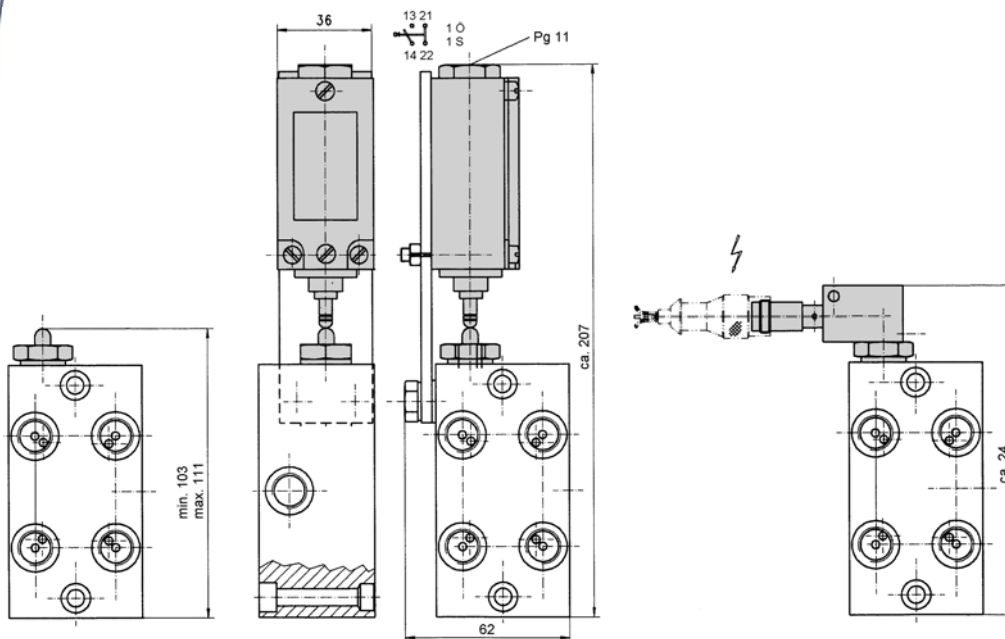
Status A

A

D. MONITORING	Code
----------------------	-------------

without motion indicator
with motion indicator without electrical monitoring
with motion indicator with electrical limit switch
with motion indicator with electronic monitoring switch

00
01
02
03



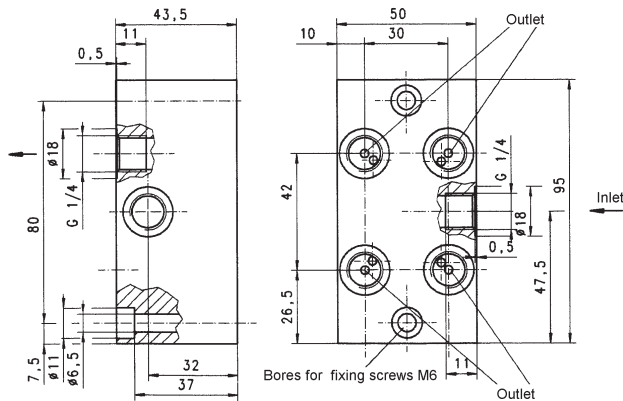
E. ACCESSORIES	Code
-----------------------	-------------

without

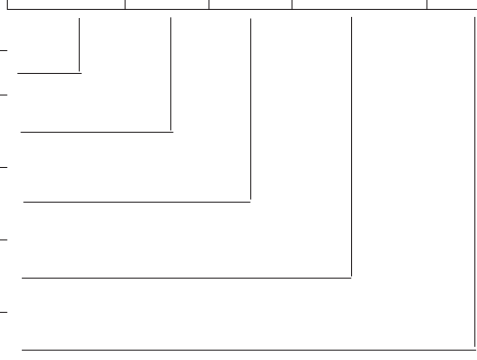
00

SPECIFICATION

Max. admissible working pressure : _____ 160 bar
 Max. admissible differential pressure between 2 outlets : _____ 100 bar
 Control pressure min. : _____ 10 bar
 Metered volume : _____ 0.4 cm³ per piston stroke
 Output volume : _____ 0.3 cm³
 Temperature range : _____ - 20° C to + 80° C
 Suitable lubricants : _____ all grease having a consistency of up to penetration class 3 and all oils having a viscosity of 190 mm²/s at service temperature (approx. 20° C).



EXAMPLE OF ORDER

		Code									
		P	E	4	0	4	A	0	2	0	0
Distributor type E4	Code: PE4										
Number of outlets 4 outlets	Code: 04										
Revision Status A	Code: A										
Monitoring with motion indicator with electrical limit switch	Code: 02										
Accessories without	Code: 00										

DELIMON

Zentrale

Arminstraße 15
D-40227 Düsseldorf
Postfach 10 20 52
D-40011 Düsseldorf
Telefon: +49 211 7774 0
Telefax: +49 211 7774 210
kontakt@bijurdelimon.com
www.bijurdelimon.com

DELIMON

Niederlassung

Am Bockwald 4
D-08344 Grünhain-Beierfeld

DELIMON

Österreich

Am Spitz 2-3 / Schloßhofer Str. 4-6
Stiege 4, Top 20
A-1210 Wien
Telefon: +43 1 585 66 17
Telefax: +43 1 585 66 17 50
kontakt@bijurdelimon.com
www.bijurdelimon.com

LUBRIMONSA

Spain

Avda. Txori-Erri 38
48150 Sondica - (Vizcaya)
Teléfono: +34 94 453 20 00
Fax: +34 94 453 25 00
spain@bijurdelimon.com
www.bijurdelimon.com

DELIMON-Denco Lubrication

DELIMON-Cooling

United Kingdom

Ramsden Court, Ramsden Road
Rotherwas Industrial Estate
Hereford, HR2 6LR
Phone: +44 (0) 1432 365 000
Fax: +44 (0) 1432 365 001
info@delimon.co.uk
www.bijurdelimon.com

BIJUR Products, Inc.

France

BP 50
ZI de Courtabœuf
5, Avenue de l'Atlantique
91942 Les Ulis Cedex
Tél.: +33 1 692 985 85
Fax: +33 1 690 776 27
contact@bijurdelimon.com
www.bijurdelimon.com

*Für reibungslose Bewegung
For smooth motion*

