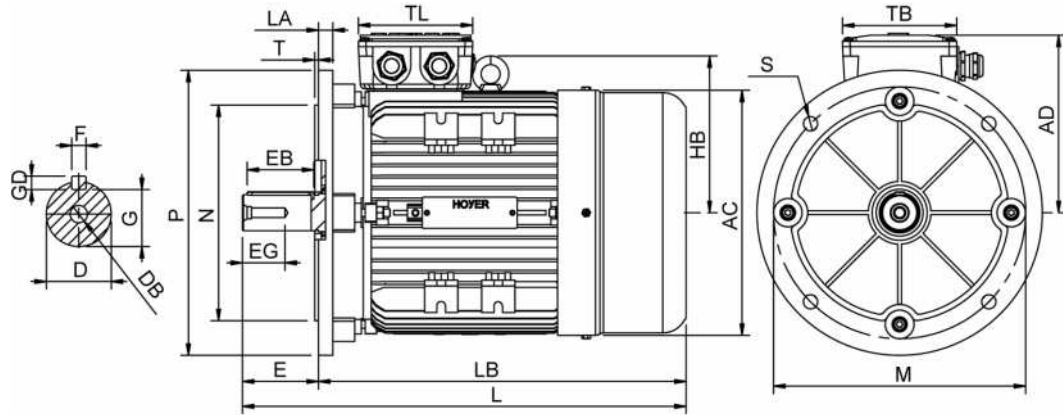


Data Sheet

Itemnumber....: 3221321209



| | | | | | | | |
|----------|----------|---------|----------|----------|---------|-----------|----------|
| AC = 258 | DB = M12 | EG = 30 | GD = 8 | L = 467 | M = 265 | S = 4-Ø15 | TL = 120 |
| AD = 187 | E = 80 | F = 10 | H = 132 | LA = 16 | N = 230 | T = 4 | |
| D = 38 | EB = 70 | G = 33 | HB = 165 | LB = 387 | P = 300 | TB = 120 | |

| | | |
|---|---|--|
| Version Type.....: HMA2 132S2-2 Design.....: Induction motor Standard series.....: IEC 60034 Phase / Voltage range.....: 3~ / Low | Mechanical design Frame size.....: 132 Mounting.....: B5 Rain cap.....: No Protection class.....: IP55 Cooling method.....: IC411/TEFC External grounding.....: Yes Drain hole.....: Yes Frame material.....: Aluminium Material approval.....: None Shaft.....: IEC Standard Key.....: Closed key Balancing.....: Half key balancing Vibration class.....: Grade-A Weight (kg).....: 51,0 | Bearing DE Bearing.....: 6308-ZZ/C3 NDE Bearing.....: 6308-ZZ/C3 Fixed bearing.....: DE |
| Electrical design Efficiency.....: IE2 Pole.....: 2 Power at 50 Hz (kW).....: 7,50 Hz.....: 60 (60 Hz output) Voltage.....: 440VD 60 Hz Winding voltage.....: 400VD/690VY 50 Hz Power output (kW).....: 8,75 Duty.....: S1 Insulation class.....: F Temperature rise.....: B | Environment condition Ambient temp. min. (°C)..: -20 Ambient temp. max. (°C)..: 45 Altitude (mtr up to).....: 1000 | Terminal box Tbox position.....: Top Cable entry direction.....: Right (from DE) Cable entry Main.....: 2 x M25x1,5 Ø11-17mm metal Accessory.....: 1 x M20x1,5 Metal blindcap Connection type.....: Delta (D) Terminal board thread.....: 6-M5 |
| Motor protection Thermal protection main....: PTC 3x 155 dgr Thermal protection second..: None Space heater.....: None Temperature detector.....: No SPM.....: No IR wire.....: No Tropical insulation.....: Yes | Test values Rotor inertia (kgm²).....: 0,016 Noise level (dB(A)).....: 74 No load current (A).....: 3,75 Winding resist. (ohm).....: 1,50 Starting time (sec.).....: 0,00 Temp. rise winding (K).....: 71 Temp. rise surface (K).....: 57 | |
| Explosion protection According to.....: None | | |
| General Direction of rotation.....: CW Painting.....: RAL 9005 Gloss 10 Nameplate.....: Multivoltage + VFD Special packing.....: No Special requirements.....: No | | |

| | | | | |
|-------------------------------------|----------------|----------------|----------------|----------------|
| Rated power (kW) | 7,50 | 7,30 | 9,00 | 8,75 |
| Frequency (Hz) | 50 | 50 | 60 | 60 |
| Voltage (V) | 400 690 | 380 660 | 480 830 | 440 |
| Connection | D Y | D Y | D Y | D |
| Full load current (A) | 13,6 7,85 | 14,0 8,10 | 13,6 7,85 | 14,0 |
| Speed (rpm) | 2920 | 2920 | 3520 | 3520 |
| Power factor cos(phi) | 0,91 | 0,92 | 0,91 | 0,86 |
| Efficiency, 100/75/50 (%) | 88,1/88,7/87,9 | 88,1/88,7/87,9 | 88,1/88,7/87,9 | 87,5/88,1/87,3 |
| Ist/In | 8,00 | 7,05 | 8,00 | 7,35 |
| Full load torque (Nm) | 24,6 | 23,8 | 24,6 | 23,8 |
| Tst/Tn | 2,20 | 2,04 | 2,20 | 1,90 |
| Tmax/Tn | 3,00 | 2,80 | 3,00 | 2,60 |
| Duty | S1 | S1 | S1 | S1 |
| Ambient temp. (°C) | 40 | 45 | 40 | 45 |