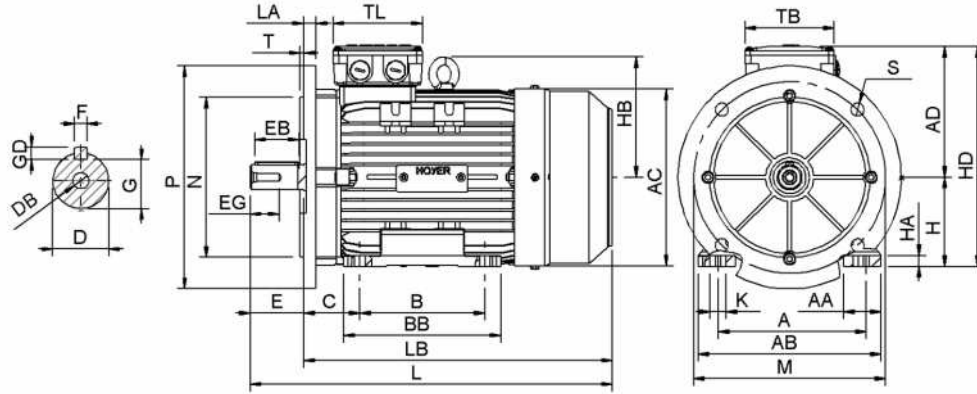


# Data Sheet

Itemnumber....: 5561120400



A = 190	AC = 219	BB = 180	DB = M10	EG = 28	GD = 7	HD = 280	LA = 14	M = 215	S = 4-Ø14.5	TL = 120
AA = 45	AD = 168	C = 70	E = 60	F = 8	H = 112	K = 4	LB = 330	N = 180	T = 4	
AB = 222	B = 140	D = 28	EB = 50	G = 24	HA = 13	L = 390	LE = 385	P = 250	TB = 120	

**Version**  
 Type.....: HMA3 112M-6  
 Design.....: Induction motor  
 Standard series.....: IEC 60034  
 Phase / Voltage range.....: 3~ / Low

**Electrical design**  
 Efficiency.....: IE3  
 Pole.....: 6  
 Power at 50 Hz (kW).....: 2,20  
 Hz.....: 50  
 Voltage.....: 230VD/400VY  
 Winding voltage.....: 230VD/400VY 50 Hz  
 Power output (kW).....: 2,20  
 Duty.....: S1  
 Insulation class.....: F  
 Temperature rise.....: B

**Mechanical design**  
 Frame size.....: 112  
 Mounting.....: B35  
 Rain cap.....: No  
 Protection class.....: IP55  
 Cooling method.....: IC411/TEFC  
 External grounding.....: Yes  
 Drain hole.....: Yes  
 Frame material.....: Aluminium  
 Material approval.....: None  
 Shaft.....: IEC standard  
 Key.....: Closed key  
 Balancing.....: Half key balancing  
 Vibration class.....: Grade-A  
 Weight (kg).....: 35,5

**Bearing**  
 DE Bearing.....: 6306-ZZ/C3  
 NDE Bearing.....: 6306-ZZ/C3  
 Fixed bearing.....: DE

**Terminal box**  
 Tbox position.....: Top  
 Cable entry direction.....: Right (from DE)  
 Cable entry  
   Main.....: 2 x M20x1,5  
                                   Plastic blindcaps  
   Accessory.....: NA  
 Connection type.....: Star (Y)  
 Terminal board thread.....: 6-M5

**Environment condition**  
 Ambient temp. min. (°C)..: -20  
 Ambient temp. max. (°C)..: 40  
 Altitude (mtr up to).....: 1000

**Test values**  
 Rotor inertia (kgm²).....: 0,017  
 Noise level (dB(A)).....: 58  
 No load current (A).....: 3,80  
 Winding resist. (ohm).....: 1,86  
 Starting time (sec.).....: 0,04  
 Temp. rise winding (K).....: 58  
 Temp. rise surface (K).....: 47

**Motor protection**  
 Thermal protection main....: PTC 3x 155 dgr  
 Thermal protection second..: None  
 Space heater.....: None  
 Temperature detector.....: No  
 SPM.....: No  
 IR wire.....: No  
 Tropical insulation.....: No

**Explosion protection**  
 According to.....: None  
 Type of protection.....: None

**General**  
 Direction of rotation.....: CW  
 Painting.....: RAL 9005 Gloss 10  
 Nameplate.....: Multivoltage  
 Special packing.....: No  
 Special requirements.....: No

Rated power (kW)	2,20	2,14	2,65	2,55
Frequency (Hz)	50	50	60	60
Voltage (V)	230 400	220 380	280 480	440
Connection	D Y	D Y	D Y	Y
Full load current (A)	9,85 5,70	10,2 5,85	9,85 5,70	5,85
Speed (rpm)	970	970	1160	1160
Power factor cos(phi)	0,67	0,68	0,67	0,70
Efficiency, 100/75/50 (%)	84,5/84,3/81,9	84,5/84,3/81,9	84,5/84,3/81,9	83,4/83,2/80,6
Ist/In	6,0	5,3	6,0	5,5
Full load torque (Nm)	21,8	21,0	21,8	21,0
Tst/Tn	2,2	2,1	2,2	1,9
Tmax /Tn	3	2,8	3	2,6
Duty	S1	S1	S1	S1
Ambient temp. (°C)	40	45	40	45