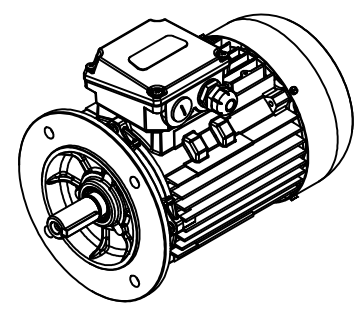
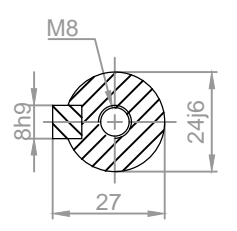


M20x1,5 (1x)
Blindstop M25x1,5 (1x)



SECTION A-A



All dimensions are in mm and according to IEC 60072

Motor:			Feet:	None	Customer:		Projection:
	Flange:	B5	Quotation number:				
Mounting possibilities: IM B5 V1 V3 IM 3001 3011 3031	Dimensions are valid for motor type:		Article number:		Drawn by:	JL	
	SKh 90S-..		Special remarks:	Approved by:	OB	REV. 0	
	SKh 90L-..			Date:	22-07-2015	Sheet 1/1	
					Date:	22-07-2015	
					Drawing number:	T1309.000042.R0	