

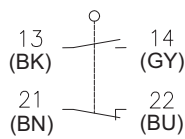
Metal bodied limit switch

Series GC

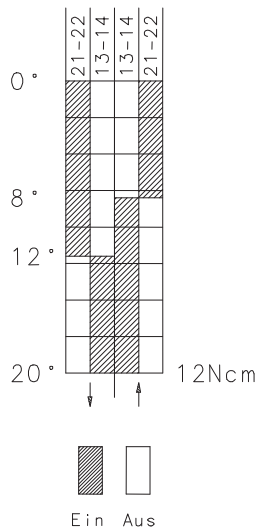
Description **GC-SU1 FFL-9M**

Article number **6121190922**

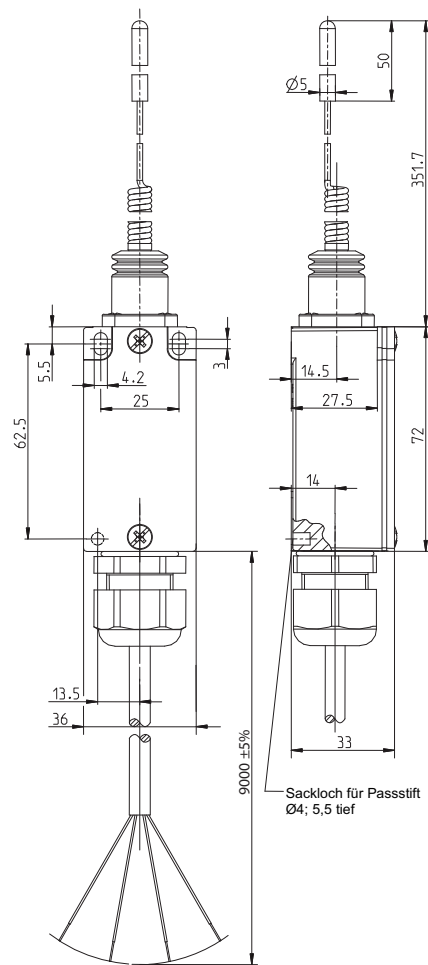
Operating symbol



Operating diagram



Operating tolerance $\pm 3^\circ$



Electrical data

Rated insulation voltage	U_i	250 V AC
Conv. thermal current	I_{the}	5 A
Rated operational voltage	U_e	230 V AC
Utilization category		AC 15, 240 V / 3 A; DC 13, 250 V / 0,27 A
Short-circuit protective device		Fuse 6 A gL
Safety class		II, fully insulated (see notes)

Mechanical Data	
Enclosure	AL, die-cast
Cover	Sheet aluminium
Actuator	Wobble stick with plastic slide
Ambient air temperature	-20 °C ... +65 °C
Maximum surface temperature	80 °C / T6
Contact type	1 NC, 1 NO (Zb)
Mechanical life	2 x 10 ⁶ switching cycles
Mechanical switching frequency	≤ 50/min.
Switching frequency under max. load	≤ 20/min. (AC), ≤15/min. (DC)
Permissible actuating speed	≥ 10 mm/min; ≤ 1 m/s
Assembly	2 screws M4
Connection	Control cable (with wire end ferrules)
Conductor cross-sections	4 x 0,75 mm ²
Cable entrance	1 x cable gland (M20x1.5)
Weight	≈ 0,74 kg
Installation position	Any, installed in a protected position on the underside of the enclosure
Protection type	IP 65 acc. to IEC / EN 60529

Actuation
The actuator can be approached from all directions with exception of the axial direction.

Standards
VDE 0660 T100, DIN EN 60947-1, IEC 60947-1
VDE 0660 T200, DIN EN 60947-5-1, IEC 60947-5-1

EU Conformity
acc. to directive 2014/35/EU

Notes
<p>The switching unit must be securely installed.</p> <p>The cable must be securely laid and protected against mechanical damage.</p> <p>The switch may not be used as a mechanical stop.</p> <p>The metal enclosure of the switch must be earthed if the enclosure can be expected to develop a hazardous charge during operation.</p> <p>Other cable lengths on request.</p>