

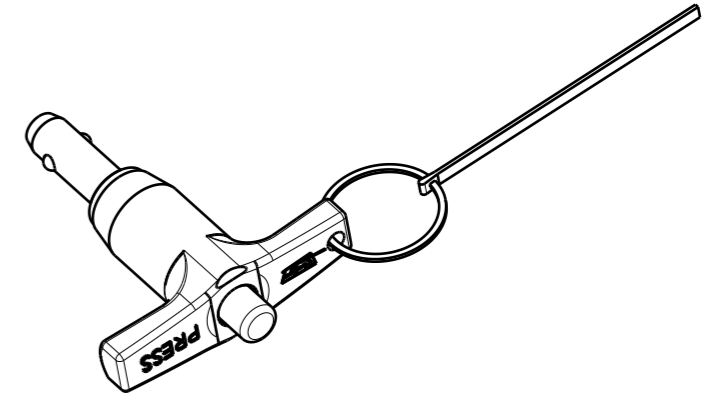
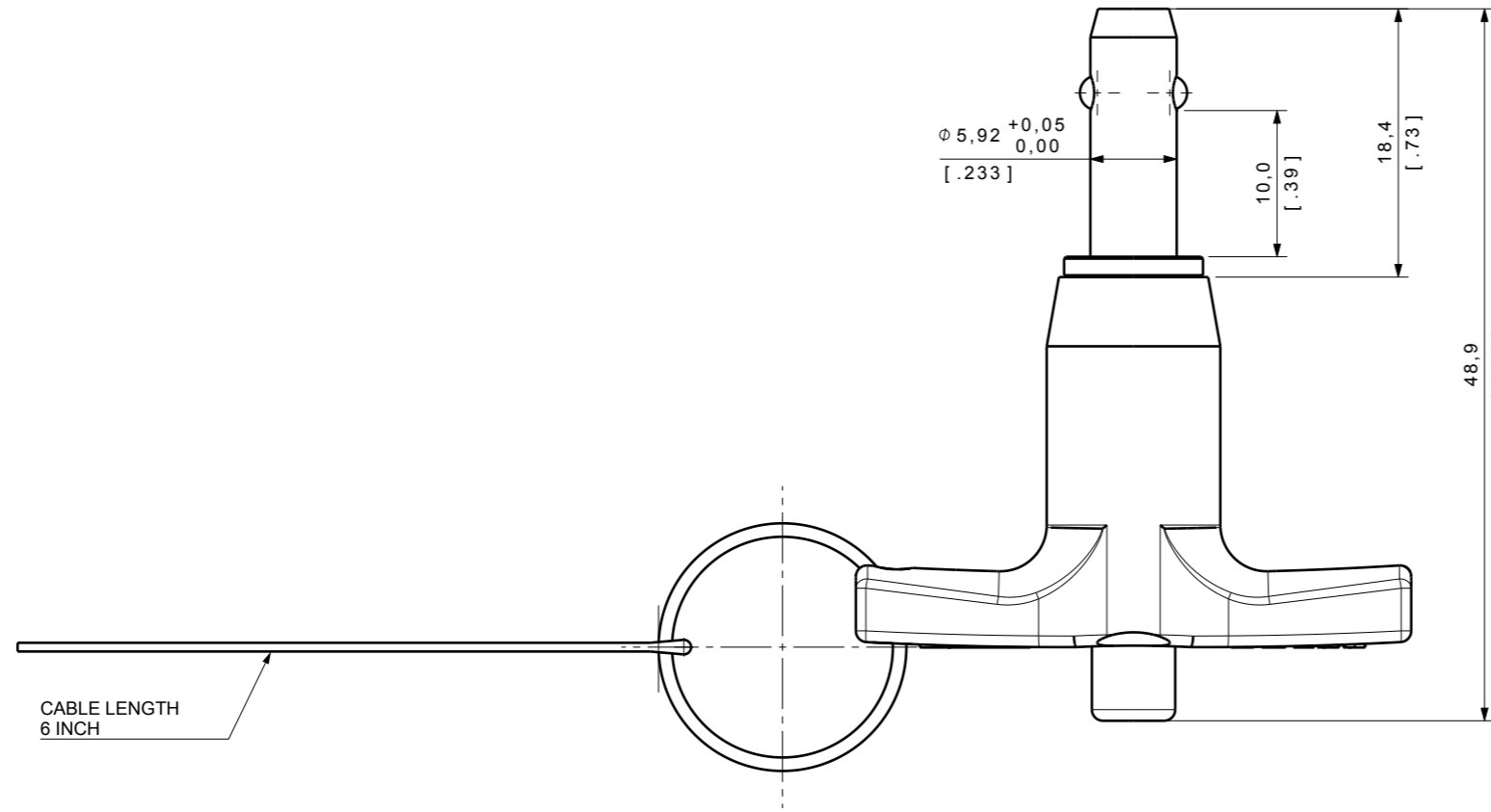
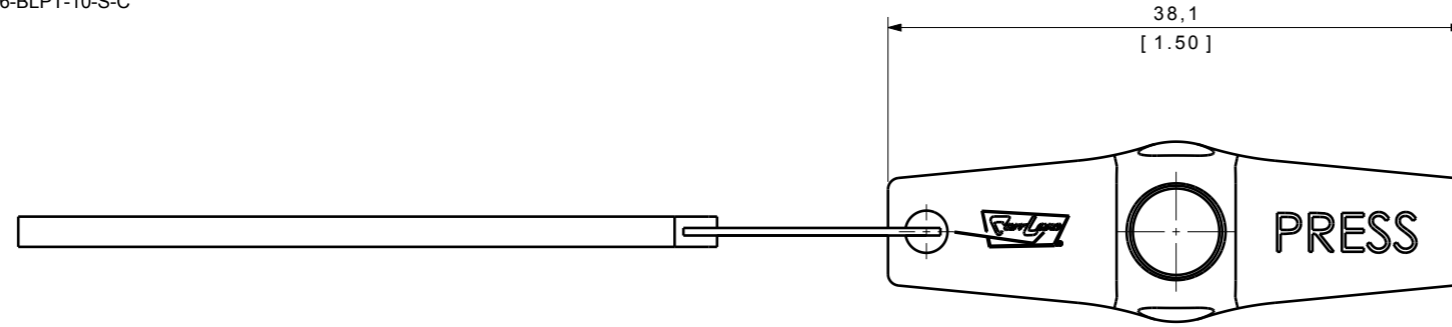
NOTES:

1. THIS DRAWING IS PREPARED ACCORDING TO THE FNSS DRAFTING MANUAL

2. ONLY THE ITEM DESCRIBED ON THIS DRAWING WHEN PROCURED FROM THE VENDOR(S) LISTED HEREON IS APPROVED BY THE FNSS FOR USE IN THE APPLICATION(S) SPECIFIED HEREON. A SUBSTITUTE ITEM SHALL NOT BE USED WITHOUT PRIOR TESTING AND APPROVAL BY FNSS ENGINEERING DEPARTMENT

APPROVED VENDOR
PART NO: 113538
VENDOR: CARR LANE MANUFACTURING COMPANY
CAGE CODE: 99862
VENDOR PART NO: CLM-6-BLPT-10-S-C

FNSS
MÜHENDİSLİK
ARGE ve TASLAK / DRAFT COPY
28/03/2016
REV D2



SOURCE CONTROL DRAWING / TEDARİKÇİ KONTROLLÜ RESİM

BU BELGEYE İLİŞKİN TÜM HAKLAR FNSS SAVUNMA SİSTEMLERİ A.Ş.'YE ("FNSS") AİTTİR. BELGE, FNSS TARAFINDAN, ÖZELİKLE "GİZLİ" KAYDI İLE İŞLEM GÖRMESİ VE FNSS'İN YAZILI İZİN OLMADAN ÇOĞALTILMAMASI, ÜRETİM YA DA BAŞKA AMAÇLAR İÇİN KULLANILMAMASI VE ÜÇÜNCÜ KİŞİLERE AÇIKLANMAMASI KOŞULLARI İLE YERLİMSİ OLAN BELGENİN TESLİM ALINMASI, BU KOŞULLARIN KABUL VE TAHHÜT EDİLDİĞİ ANLAMINA GELİR. THE ENTIRE INTELLECTUAL RIGHTS REGARDING THIS DOCUMENT ARE THE PROPERTY OF FNSS SAVUNMA SİSTEMLERİ A.Ş. ("FNSS"). THE DOCUMENT IS OR ANY OTHER PURPOSES AND DISCLOSED TO THIRD PARTIES WITHOUT WRITTEN PERMISSION OF FNSS. THE RECEIPT OF THIS DOCUMENT SHALL MEAN THE ACCEPTANCE OF AND COMMITMENT TO THESE CONDITIONS.

AKSI BELİRTİLMEDİKÇE UNLESS OTHERWISE SPECIFIED TOLERANSLAR / TOLERANCES ON AÇI / ANGLES ON-DALIM / DECIMALS		SÖZLEŞME / CONTRACT NO -		FNSS SAVUNMA SİSTEMLERİ A.Ş. Gölbaşı, 06380, Ankara, Türkiye Tel: +90-312-497 4300 Web: www.fnss.com.tr	
± 3°	X ± 2	TARİH / DATE 14/02/2016		QUICK RELEASE PIN, SIGHT INSTALLATION	
BİRİM / UNIT	X, X ± 1,0 mm X, XX ± 0,50	ÇİZEN / DRAWN C. CİLOGLU	KONTROL / CHECKED O. EREN	BOYUT SIZE A3	
ÜST KOMPLE NEXT ASSY	PROJE USED ON	MÜHENDİS / ENGINEER C. CİLOGLU	PROJ. MÜH. / ENG. M. KAPLAN	KOD / CODE NO T0720	DOKÜMAN / DRAWING NO 113538
UYGULAMA / APPLICATION		ONAY / APPROVED C. OZELCI	ÖLÇEK SCALE	AĞIRLIK WEIGHT	SAYFA SHEET
			-	-	1/1