

Cylinder Accessories ▶ Locking Elements, series CL1

Locking unit, Series LU1

▶ Ø32 - 100 mm ▶ Hold: adjustable spring force, Release: compressed air



00136968

Function	Clamp with eccentric tappet
Release pressure	2 bar / 8 bar
Ambient temperature min./max.	-20 °C / +80 °C
Medium temperature min./max.	-20 °C / +80 °C
Max. particle size	5 µm
Oil content of compressed air	0 mg/m ³ - 5 mg/m ³
Static holding force	See table below

Materials:	
Housing	Aluminum, anodized
Cover	Die-cast aluminum

Technical Remarks

- The pressure dew point must be at least 15 °C under ambient and medium temperature and may not exceed 3 °C.
- The oil content of compressed air must remain constant during the life cycle.
- Use only the approved oils from AVENTICS, see chapter „Technical information“.
- Warning: The Locking unit may not be used for the following applications:- for dynamic holding- in or as safety equipment
- Locking unit may only be unlocked when turned off.
- Note: The minimum release pressure is \geq the working pressure of the cylinder! The holding force is dependent on the set spring force

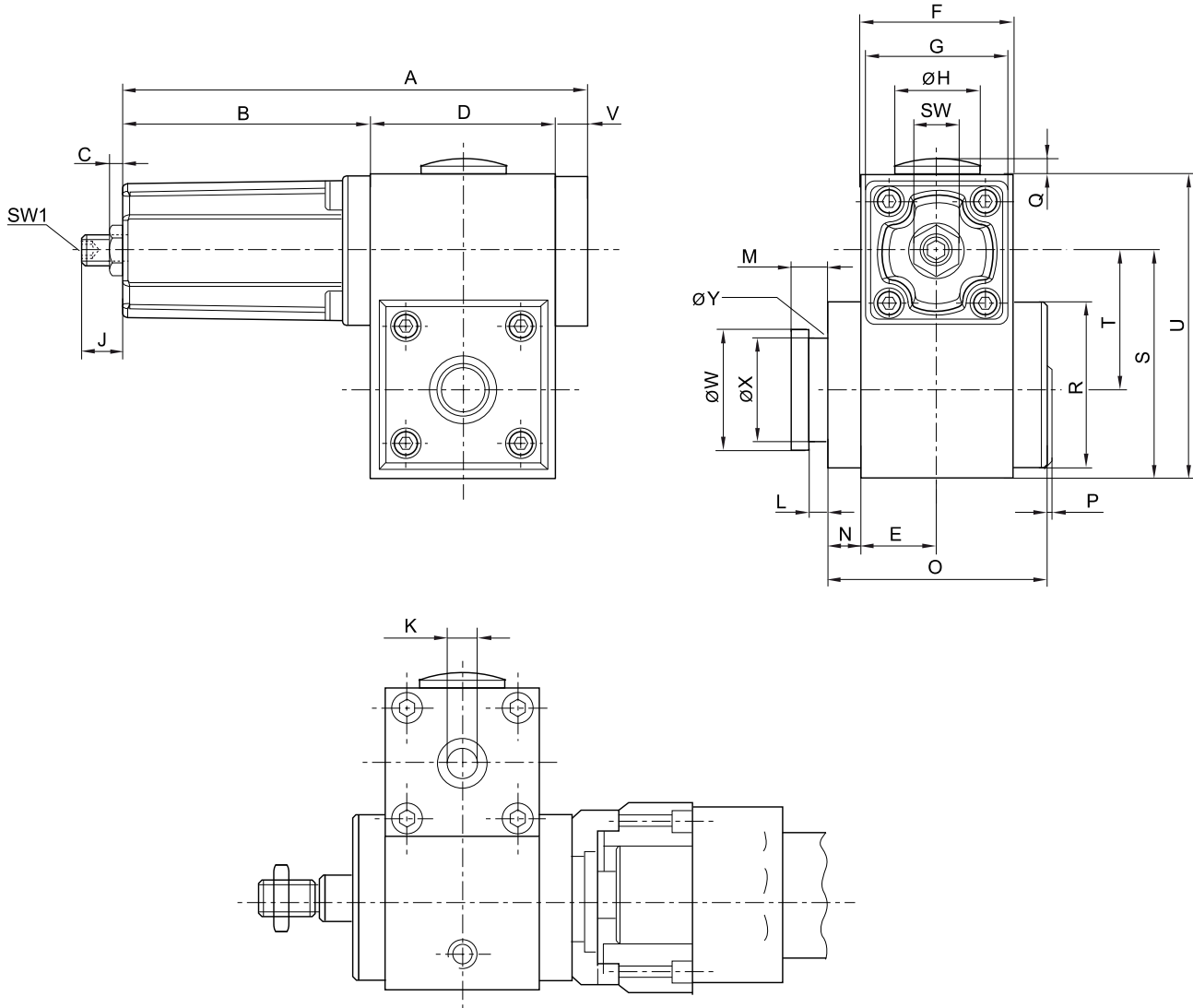
	Piston Ø	suitable piston rod Ø	Piston rod extension	Compressed air connection	Static holding force	Weight	Part No.
	[mm]	[mm]	[mm]		[N]	[kg]	
	32	12	79	G 1/8	840	2	0821401130
	40	16	81		1100	2	0821401131
	50, 63	20	100		2700	3	0821401132
	80, 100	25	140		5800	9	0821401133

Holding force at 0 bar
 Mounting elements LU3, LU4, LU5 are required for assembly and must be ordered separately as accessories.

Locking unit, Series LU1

▶ Ø32 - 100 mm ▶ Hold: adjustable spring force, Release: compressed air

Dimensions



00119254_a

Piston Ø	A	B	C	D	E	F	G	ØH	J	K	L	M	N
32	135	69	10	56	23	46	45	30	19	G 1/8	4.1	8	9
40	135	69	10	56	23	46	45	30	18	G 1/8	5.1	10	9
50, 63	169	90	10	69	30	60	55	30	17	G 1/8	5.1	10	9
80, 100	208	98	16.7	100	40	80	65	37.5	15	G 1/8	8.1	16	13

Piston Ø	O	P	Q	R	S	SW	SW1	T	U	V	ØW	ØX	ØY
32	65	3	2.5	50	69	15	5	41.9	92	10	29.9	24	3
40	65	3	2.5	50	69	15	5	40.5	92	10	39.9	30	3
50, 63	84	3	2.5	60	80	15	5	48	111	10	39.9	30	3
80, 100	118	3	2	90	119	24	8	72	155	10	54.9	40	5